

Luminaire Property

Luminaire:

Report NO.:

Test NO.:

Lamp: 100W

Sum Lumens: 12112.4 lm

Number of Lamps: 1

Diameter: 0mm

Length: 435mm

Photometric Type: Type C

Voltage: 229.6 V

Current: 0.4526 A

Power: 102.36 W

Power Factor: 0.985

Ballast Type:

Width: 500mm

Height: 500mm

Remark:

Photometric Results

Lumens: 12112.40 lm

Efficiency: 100%

Central Intensity: 4539.092cd

Maximum Intensity: 5009.9cd

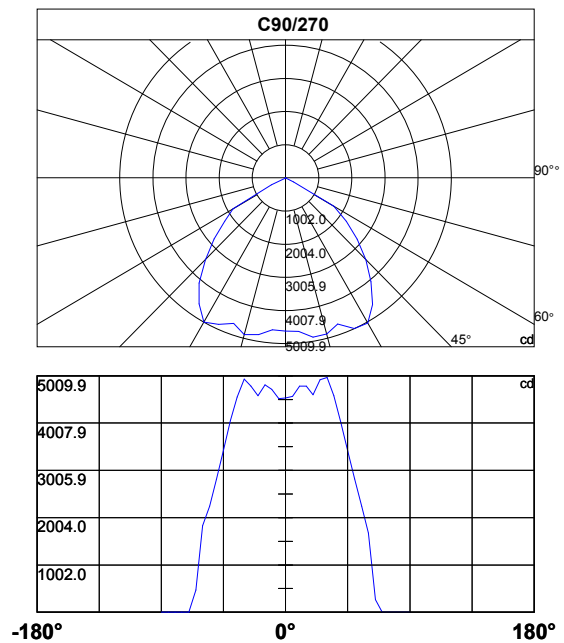
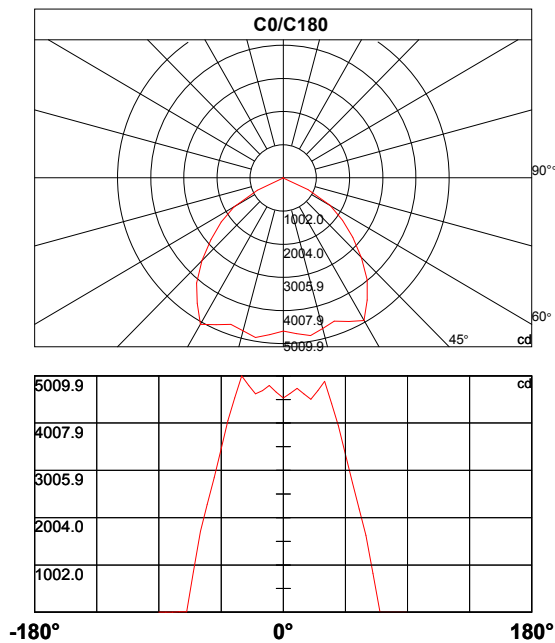
Beam Angle(10%): Left: -37.1 Right:97.0

Angle of maximum intensity: C:180.0 G:30.0

Half Peak Side Angle(50%): Left: -23.0 Right:82.1

Up Flux Rate: 0.0%

Down Flux Rate: 100.0%



Photometric Data Table [cd]

Cly	0.0	5.0	10.0	15.0	20.0	25.0	30.0	35.0	40.0	45.0
0.0	4539.1	4635.7	4744.3	4623.6	4514.9	4696.0	4889.2	4418.4	3947.6	3343.9
15.0	4539.1	4635.7	4756.4	4647.7	4551.2	4671.9	4816.7	4466.6	3971.7	3404.3
30.0	4539.1	4635.7	4756.4	4744.3	4684.0	4720.2	4744.3	4551.2	4020.0	3392.2
45.0	4539.1	4623.6	4780.5	4792.6	4708.1	4840.9	4865.0	4527.0	3995.9	3452.6
60.0	4539.1	4599.5	4768.5	4744.3	4575.3	4804.7	4840.9	4502.9	4007.9	3428.5
75.0	4539.1	4587.4	4780.5	4780.5	4611.5	4853.0	4925.4	4551.2	4056.2	3500.9
90.0	4539.1	4575.3	4792.6	4792.6	4611.5	4925.4	4973.7	4587.4	4020.0	3428.5
105.0	4539.1	4599.5	4792.6	4804.7	4647.7	4901.3	4961.6	4563.2	4068.3	3513.0
120.0	4539.1	4623.6	4804.7	4780.5	4659.8	4889.2	4901.3	4563.2	4044.1	3464.7
135.0	4539.1	4635.7	4816.7	4840.9	4780.5	4949.5	4961.6	4623.6	4068.3	3525.0
150.0	4539.1	4647.7	4816.7	4828.8	4768.5	4828.8	4865.0	4647.7	4116.6	3488.8
165.0	4539.1	4659.8	4804.7	4744.3	4659.8	4804.7	4949.5	4587.4	4068.3	3488.8
180.0	4539.1	4659.8	4804.7	4696.0	4623.6	4804.7	5009.9	4539.1	4068.3	3464.7
195.0	4539.1	4647.7	4780.5	4720.2	4623.6	4768.5	4937.5	4551.2	4092.4	3488.8
210.0	4539.1	4635.7	4780.5	4780.5	4708.1	4756.4	4816.7	4611.5	4020.0	3488.8
225.0	4539.1	4623.6	4780.5	4840.9	4732.2	4853.0	4853.0	4478.7	4044.1	3380.2
240.0	4539.1	4599.5	4780.5	4756.4	4623.6	4792.6	4816.7	4514.9	3947.6	3368.1
255.0	4539.1	4563.2	4732.2	4732.2	4611.5	4840.9	4889.2	4527.0	3983.8	3307.7
270.0	4539.1	4527.0	4720.2	4816.7	4587.4	4792.6	4937.5	4563.2	4068.3	3428.5
285.0	4539.1	4563.2	4720.2	4696.0	4587.4	4828.8	4853.0	4490.8	3947.6	3271.5
300.0	4539.1	4599.5	4756.4	4696.0	4539.1	4756.4	4756.4	4454.6	3887.2	3271.5
315.0	4539.1	4623.6	4780.5	4780.5	4671.9	4828.8	4792.6	4394.2	3947.6	3283.6
330.0	4539.1	4635.7	4768.5	4756.4	4659.8	4708.1	4708.1	4466.6	3899.3	3368.1
345.0	4539.1	4647.7	4768.5	4671.9	4551.2	4671.9	4804.7	4406.3	3923.4	3343.9
360.0	4539.1	4635.7	4744.3	4623.6	4514.9	4696.0	4889.2	4418.4	3947.6	3343.9

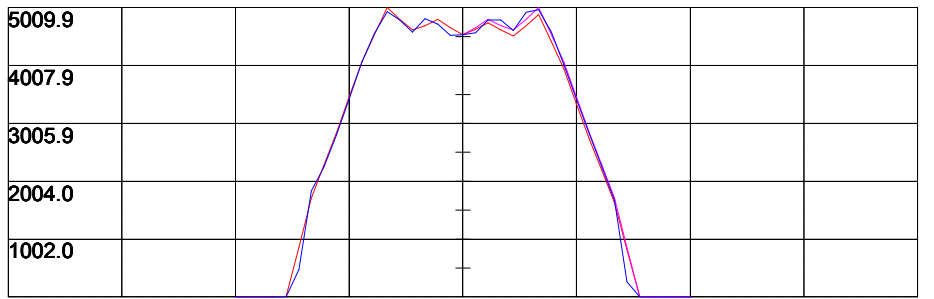
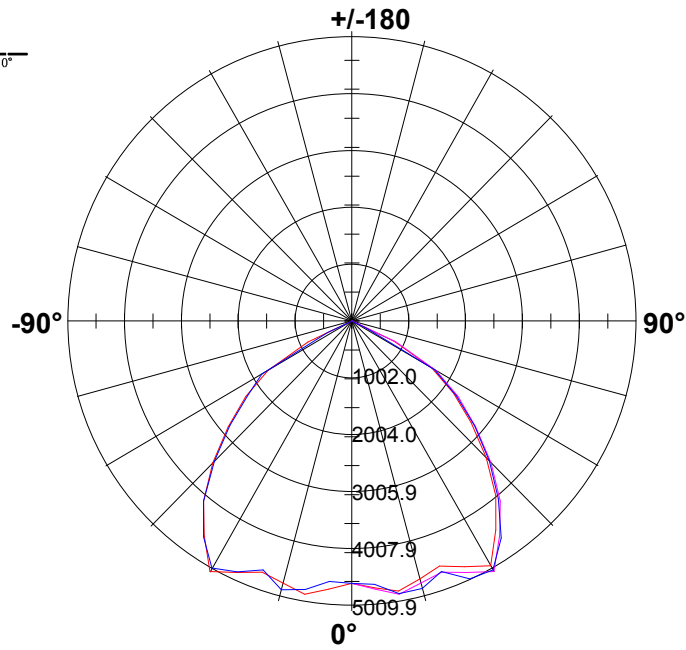
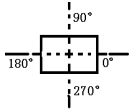
Cly	50.0	55.0	60.0	65.0	70.0	75.0	80.0	85.0	90.0
0.0	2740.4	2185.0	1629.7	820.9	3.6	2.5	1.6	0.0	0.0
15.0	2788.6	2185.0	1533.2	820.9	95.7	2.5	1.6	0.0	0.0
30.0	2800.7	2136.8	1340.0	567.4	193.1	2.5	1.6	0.2	0.0
45.0	2800.7	2329.9	1678.0	579.5	5.6	2.7	1.6	0.5	0.0
60.0	2788.6	2329.9	1678.0	470.8	6.8	2.7	1.5	0.7	0.0
75.0	2873.1	2221.3	1786.7	350.1	6.5	2.8	1.7	0.7	0.0
90.0	2824.9	2245.4	1678.0	265.6	4.9	2.9	1.8	1.0	0.0
105.0	2873.1	2257.5	1798.7	326.0	6.6	3.4	2.9	2.8	0.0
120.0	2812.8	2354.1	1678.0	458.7	8.7	5.1	4.0	2.8	0.0
135.0	2836.9	2390.3	1714.2	591.5	8.7	5.3	3.9	1.2	0.0
150.0	2861.1	2185.0	1376.2	603.6	205.2	5.2	3.7	0.5	0.0
165.0	2861.1	2257.5	1581.4	857.1	102.0	5.7	4.2	0.1	0.0
180.0	2849.0	2281.6	1714.2	857.1	7.1	5.7	4.3	0.0	0.0
195.0	2885.2	2233.3	1593.5	845.0	99.2	5.4	4.1	0.1	0.0
210.0	2800.7	2173.0	1315.8	603.6	156.9	5.2	3.9	0.6	0.0
225.0	2873.1	2269.5	1714.2	519.1	7.8	4.9	4.0	1.5	0.0
240.0	2824.9	2233.3	1714.2	362.2	6.6	4.9	4.2	3.1	0.0
255.0	2752.4	2257.5	1545.2	350.1	4.0	3.0	2.8	3.1	0.0
270.0	2812.8	2245.4	1834.9	470.8	4.2	2.8	1.9	1.2	1.2
285.0	2716.2	2233.3	1521.1	338.0	4.0	2.7	1.7	1.1	0.0

Photometric Data Table [cd]

300.0	2740.4	2185.0	1678.0	338.0	4.7	2.7	1.7	1.0	0.0
315.0	2764.5	2185.0	1653.9	495.0	5.1	2.7	1.7	0.5	0.0
330.0	2704.1	2100.5	1255.5	567.4	156.9	2.5	1.6	0.2	0.0
345.0	2752.4	2112.6	1496.9	784.7	90.3	2.5	1.6	0.0	0.0
360.0	2740.4	2185.0	1629.7	820.9	3.6	2.5	1.6	0.0	0.0

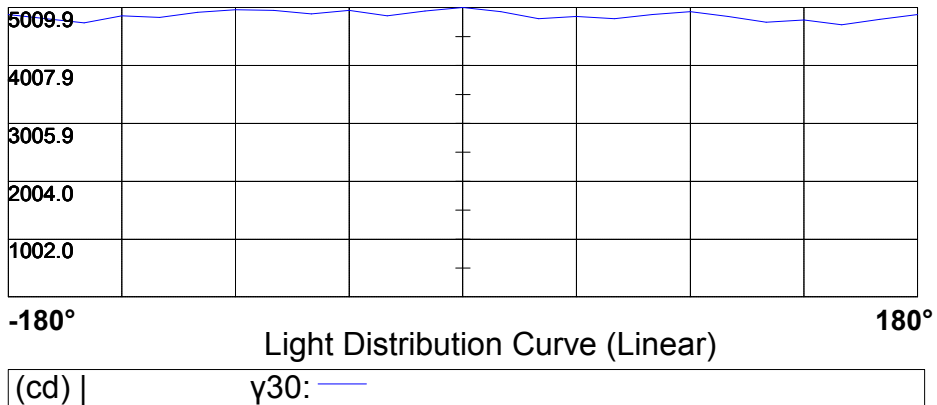
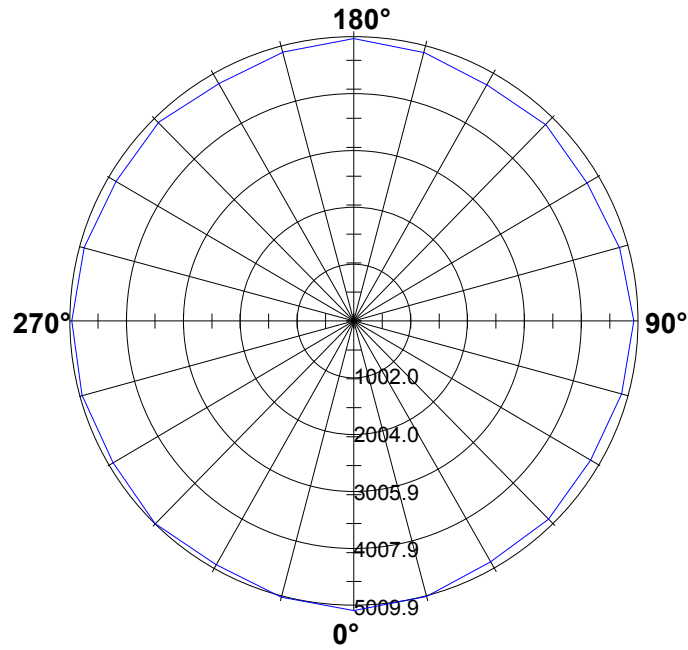
Light Distribution Curve [Unit: cd]

Luminaire

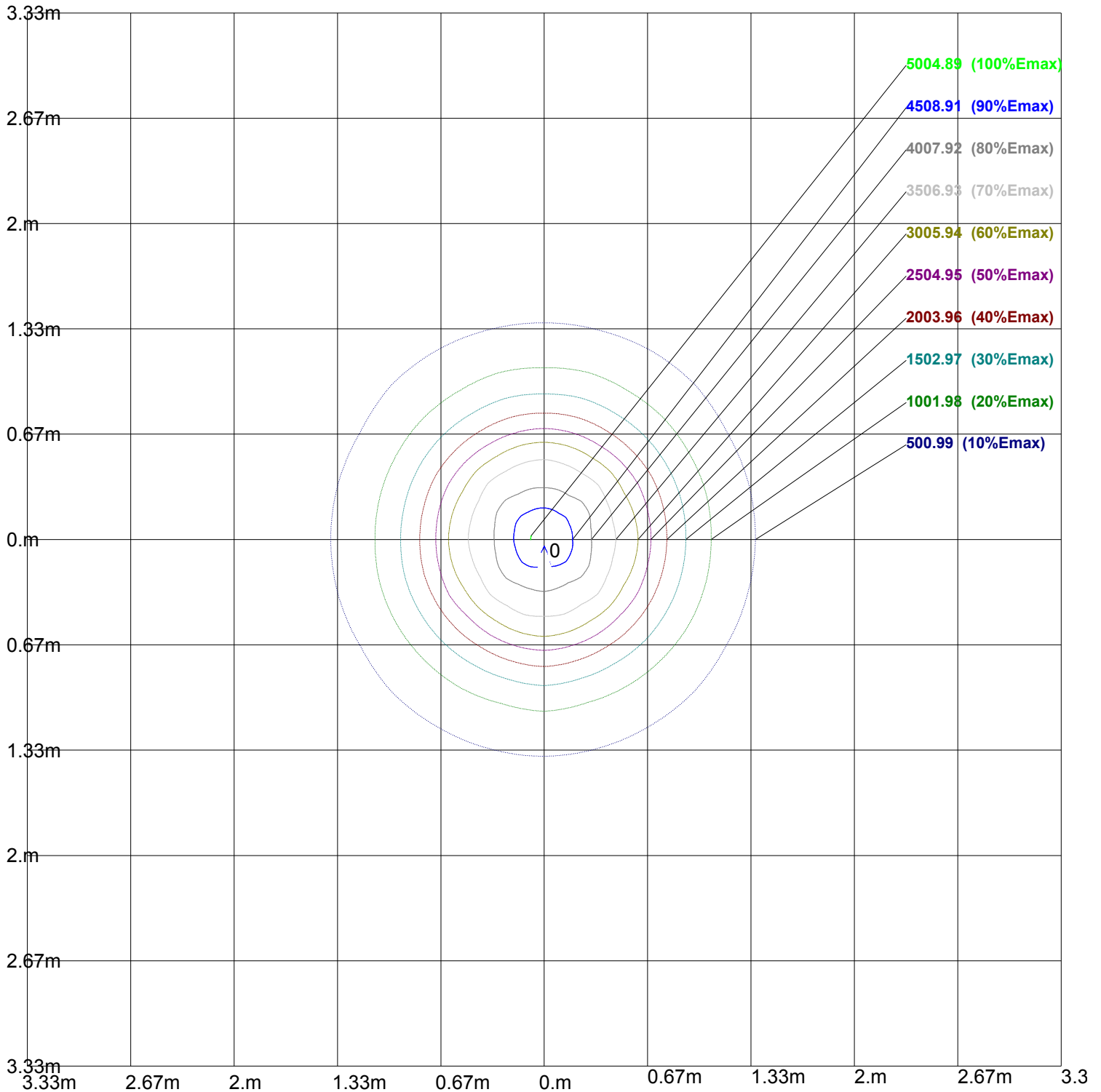


-180° 180°
Light Distribution Curve (Linear)
 (cd) | C0/C180: — C90/C270: — C180: —

Max Plane Light Distribution Curve [Unit: cd]



Iso-Lux[lx]



Height: 1 m
Max Illuminance : 5009.9lx

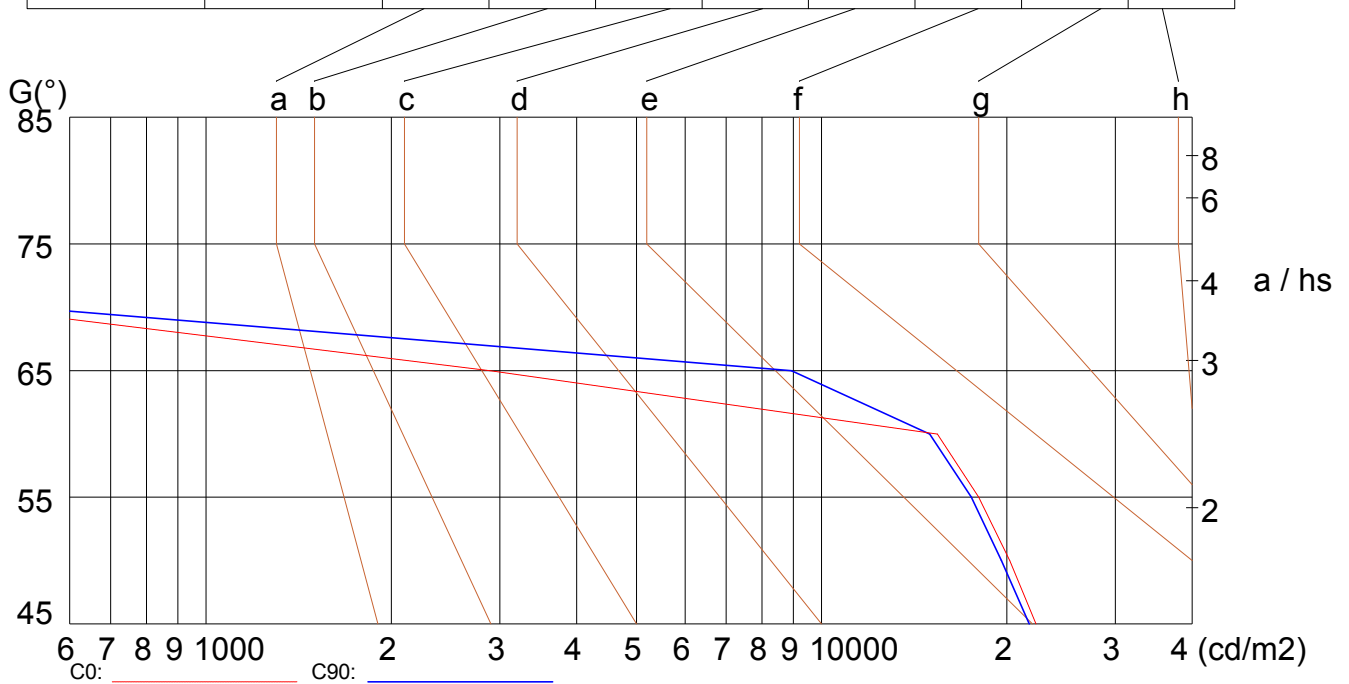
Luminance Limiting Curve

Diameter: 0mm
 Length: 435mm
 Width: 500mm
 Height: 500mm

(cd/m²)

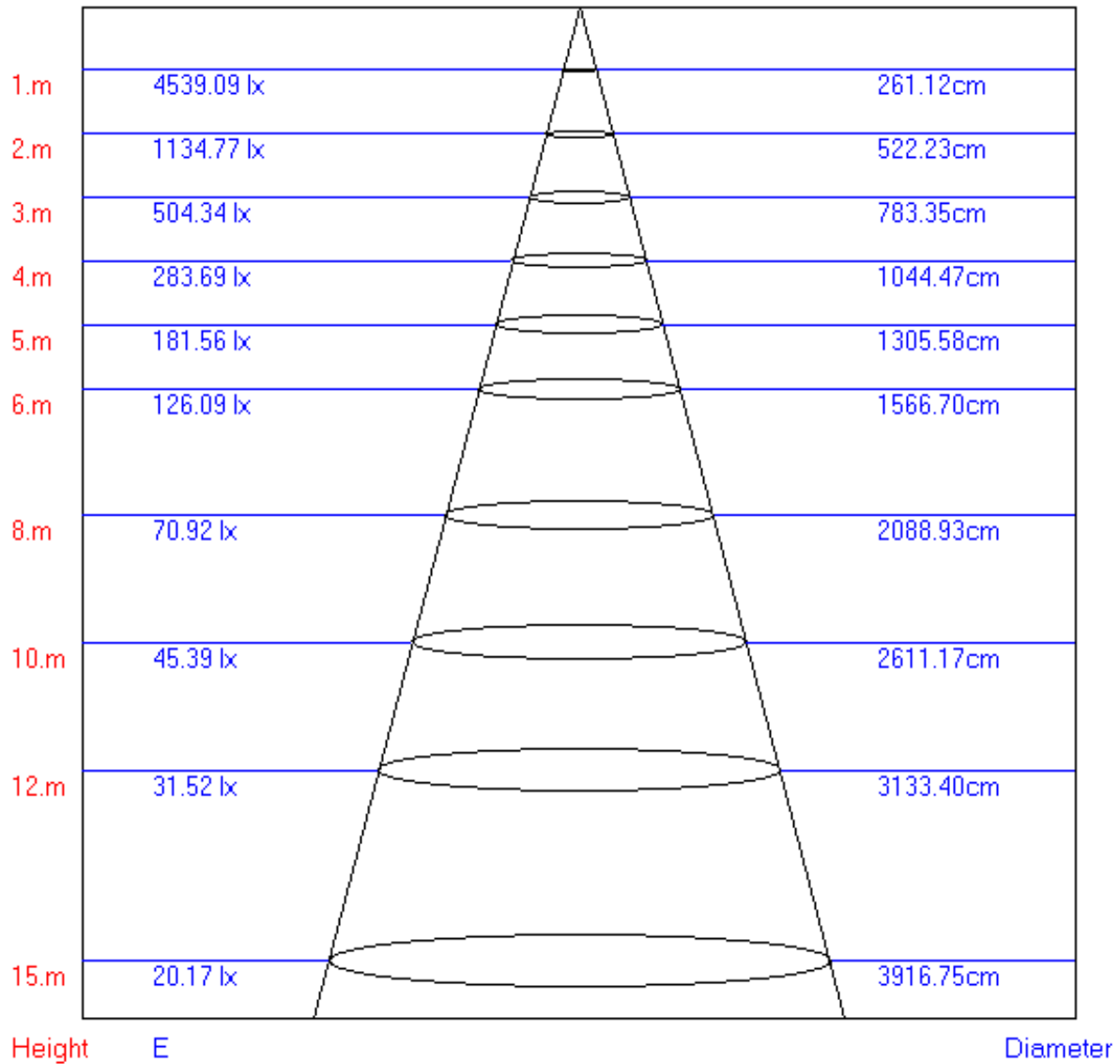
γ	45°	50°	55°	60°	65°	70°	75°	80°	85°
C0	22292	20206	17999	15430	2889	67	52	48	
C90	21743	19601	17515	14986	8931	49	45	42	

Glare	Quality	Service Values Illuminance (lx)							
1.15	A	2000	1000	500	≤300				
1.5	B		2000	1000	500	≤300			
1.85	C			2000	1000	500	≤300		
2.2	D				2000	1000	500	≤300	
2.55	E					2000	1000	500	≤300



Lum. Limiting Curve (C0/C90)

Lux-Distance Curve



Beam Angle:105.30°

Utilization Coefficient Table

RHOCC	80			70			50			30			10			0
RHOW	50	30	10	50	30	10	50	30	10	50	30	10	50	30	10	0
RCR	COEFFICIENTS OF UTILIZATION FOR RHOFC=20															
0	1.19	1.19	1.19	1.16	1.16	1.16	1.11	1.11	1.11	1.06	1.06	1.06	1.02	1.02	1.02	1.00
1	1.10	1.08	1.07	1.08	1.06	1.05	1.04	1.02	1.01	0.99	0.97	0.95	0.92	0.90	0.89	0.83
2	0.97	0.95	0.93	0.96	0.93	0.91	0.93	0.90	0.87	0.89	0.86	0.83	0.84	0.80	0.77	0.73
3	0.85	0.82	0.81	0.84	0.81	0.79	0.82	0.79	0.76	0.79	0.75	0.72	0.76	0.71	0.67	0.63
4	0.75	0.72	0.70	0.74	0.71	0.69	0.73	0.69	0.66	0.71	0.67	0.63	0.69	0.63	0.59	0.55
5	0.66	0.63	0.62	0.66	0.63	0.60	0.66	0.61	0.58	0.64	0.59	0.55	0.62	0.57	0.52	0.48
6	0.59	0.56	0.54	0.59	0.56	0.53	0.59	0.54	0.51	0.58	0.53	0.49	0.57	0.51	0.46	0.42
7	0.52	0.50	0.48	0.53	0.50	0.47	0.53	0.49	0.45	0.53	0.47	0.43	0.52	0.46	0.41	0.38
8	0.47	0.45	0.43	0.48	0.44	0.42	0.48	0.44	0.41	0.48	0.43	0.39	0.48	0.42	0.37	0.34
9	0.43	0.40	0.39	0.43	0.40	0.38	0.44	0.40	0.37	0.44	0.39	0.35	0.44	0.38	0.33	0.30
10	0.39	0.37	0.35	0.39	0.36	0.35	0.40	0.36	0.33	0.41	0.36	0.32	0.41	0.35	0.30	0.27

