

## Luminaire Property

Luminaire:

Report NO.:

Test NO.:

Lamp: 135W

Sum Lumens: 16468.25 lm

Number of Lamps: 1

Diameter: 0mm

Length: 475mm

Photometric Type: Type C

Voltage: 229.8 V

Current: 0.6077 A

Power: 137.55 W

Power Factor: 0.985

Ballast Type:

Width: 500mm

Height: 500mm

Remark:

## Photometric Results

Lumens: 16468.25 lm

Efficiency: 100%

Central Intensity: 6171.438cd

Maximum Intensity: 6811.56cd

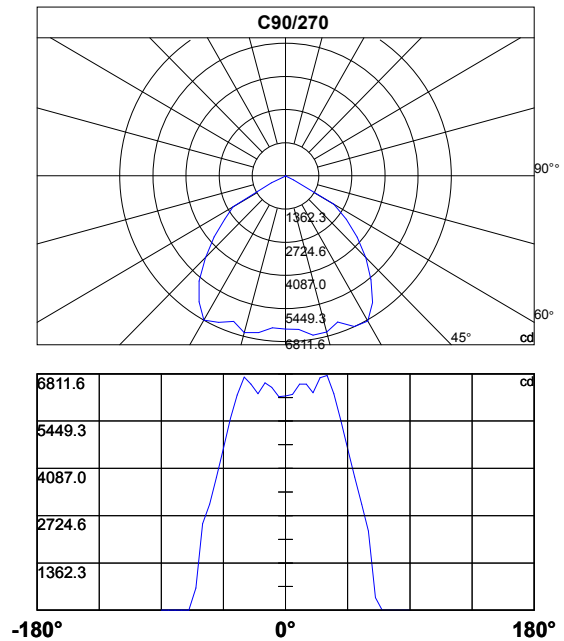
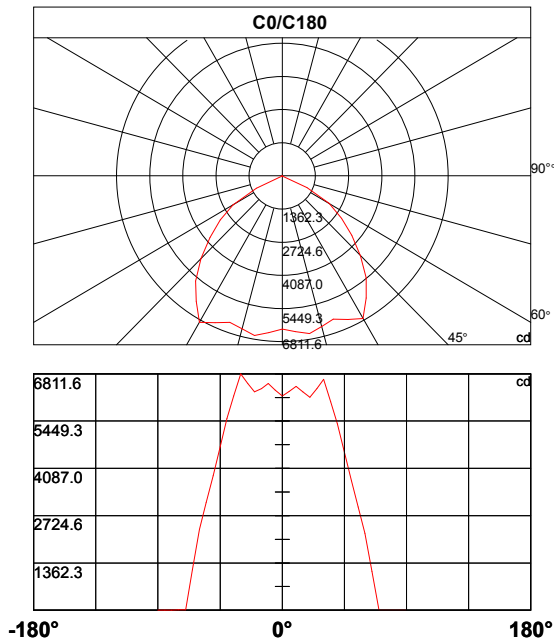
Beam Angle(10%): Left: -37.1 Right:97.0

Angle of maximum intensity: C:180.0 G:30.0

Half Peak Side Angle(50%): Left: -23.0 Right:82.1

Up Flux Rate: 0.0%

Down Flux Rate: 100.0%



**Photometric Data Table [cd]**

Cly	0.0	5.0	10.0	15.0	20.0	25.0	30.0	35.0	40.0	45.0
0.0	6171.4	6302.8	6450.5	6286.3	6138.6	6384.8	6647.4	6007.3	5367.2	4546.5
15.0	6171.4	6302.8	6466.9	6319.2	6187.9	6352.0	6549.0	6073.0	5400.0	4628.6
30.0	6171.4	6302.8	6466.9	6450.5	6368.4	6417.6	6450.5	6187.9	5465.7	4612.2
45.0	6171.4	6286.3	6499.7	6516.1	6401.2	6581.8	6614.6	6155.0	5432.8	4694.2
60.0	6171.4	6253.5	6483.3	6450.5	6220.7	6532.5	6581.8	6122.2	5449.3	4661.4
75.0	6171.4	6237.1	6499.7	6499.7	6269.9	6598.2	6696.7	6187.9	5514.9	4759.9
90.0	6171.4	6220.7	6516.1	6516.1	6269.9	6696.7	6762.3	6237.1	5465.7	4661.4
105.0	6171.4	6253.5	6516.1	6532.5	6319.2	6663.8	6745.9	6204.3	5531.3	4776.3
120.0	6171.4	6286.3	6532.5	6499.7	6335.6	6647.4	6663.8	6204.3	5498.5	4710.6
135.0	6171.4	6302.8	6549.0	6581.8	6499.7	6729.5	6745.9	6286.3	5531.3	4792.7
150.0	6171.4	6319.2	6549.0	6565.4	6483.3	6565.4	6614.6	6319.2	5597.0	4743.5
165.0	6171.4	6335.6	6532.5	6450.5	6335.6	6532.5	6729.5	6237.1	5531.3	4743.5
180.0	6171.4	6335.6	6532.5	6384.8	6286.3	6532.5	6811.6	6171.4	5531.3	4710.6
195.0	6171.4	6319.2	6499.7	6417.6	6286.3	6483.3	6713.1	6187.9	5564.1	4743.5
210.0	6171.4	6302.8	6499.7	6499.7	6401.2	6466.9	6549.0	6269.9	5465.7	4743.5
225.0	6171.4	6286.3	6499.7	6581.8	6434.0	6598.2	6598.2	6089.4	5498.5	4595.8
240.0	6171.4	6253.5	6499.7	6466.9	6286.3	6516.1	6549.0	6138.6	5367.2	4579.3
255.0	6171.4	6204.3	6434.0	6434.0	6269.9	6581.8	6647.4	6155.0	5416.4	4497.3
270.0	6171.4	6155.0	6417.6	6549.0	6237.1	6516.1	6713.1	6204.3	5531.3	4661.4
285.0	6171.4	6204.3	6417.6	6384.8	6237.1	6565.4	6598.2	6105.8	5367.2	4448.0
300.0	6171.4	6253.5	6466.9	6384.8	6171.4	6466.9	6466.9	6056.5	5285.1	4448.0
315.0	6171.4	6286.3	6499.7	6499.7	6352.0	6565.4	6516.1	5974.5	5367.2	4464.4
330.0	6171.4	6302.8	6483.3	6466.9	6335.6	6401.2	6401.2	6073.0	5301.5	4579.3
345.0	6171.4	6319.2	6483.3	6352.0	6187.9	6352.0	6532.5	5990.9	5334.4	4546.5
360.0	6171.4	6302.8	6450.5	6286.3	6138.6	6384.8	6647.4	6007.3	5367.2	4546.5

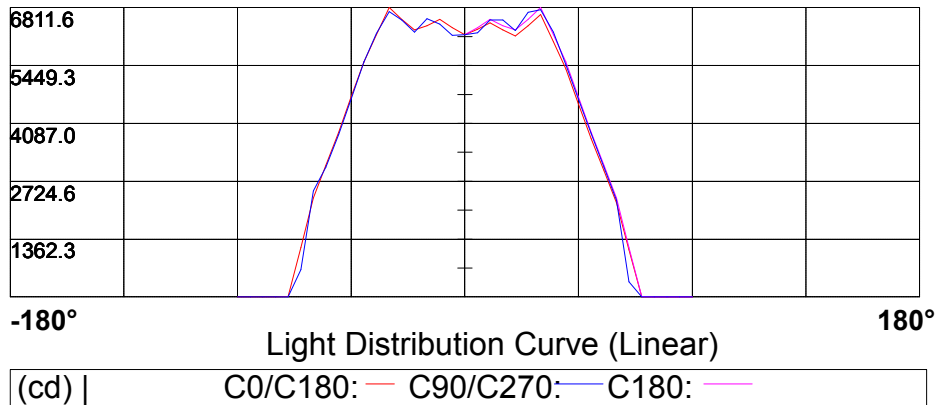
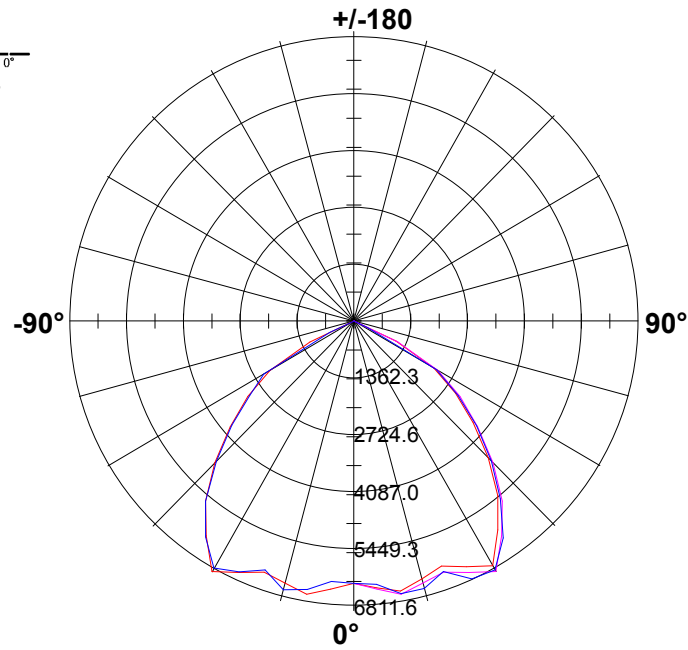
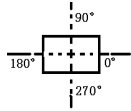
Cly	50.0	55.0	60.0	65.0	70.0	75.0	80.0	85.0	90.0
0.0	3725.8	2970.8	2215.8	1116.1	4.9	3.5	2.1	0.0	0.0
15.0	3791.5	2970.8	2084.5	1116.1	130.2	3.5	2.1	0.0	0.0
30.0	3807.9	2905.2	1821.9	771.4	262.6	3.5	2.1	0.3	0.0
45.0	3807.9	3167.8	2281.5	787.8	7.6	3.6	2.1	0.7	0.0
60.0	3791.5	3167.8	2281.5	640.1	9.2	3.6	2.0	1.0	0.0
75.0	3906.4	3020.1	2429.2	476.0	8.9	3.8	2.3	1.0	0.0
90.0	3840.7	3052.9	2281.5	361.1	6.7	3.9	2.5	1.3	0.0
105.0	3906.4	3069.3	2445.6	443.2	9.0	4.6	3.9	3.8	0.0
120.0	3824.3	3200.6	2281.5	623.7	11.8	6.9	5.4	3.8	0.0
135.0	3857.1	3249.9	2330.7	804.3	11.8	7.2	5.3	1.6	0.0
150.0	3890.0	2970.8	1871.1	820.7	279.0	7.1	5.1	0.7	0.0
165.0	3890.0	3069.3	2150.2	1165.3	138.7	7.7	5.7	0.2	0.0
180.0	3873.6	3102.1	2330.7	1165.3	9.7	7.7	5.9	0.0	0.0
195.0	3922.8	3036.5	2166.6	1148.9	134.9	7.4	5.6	0.2	0.0
210.0	3807.9	2954.4	1789.1	820.7	213.4	7.1	5.3	0.8	0.0
225.0	3906.4	3085.7	2330.7	705.8	10.7	6.7	5.4	2.0	0.0
240.0	3840.7	3036.5	2330.7	492.4	9.0	6.7	5.7	4.3	0.0
255.0	3742.3	3069.3	2100.9	476.0	5.4	4.1	3.8	4.3	0.0
270.0	3824.3	3052.9	2494.8	640.1	5.7	3.8	2.6	1.6	1.6
285.0	3693.0	3036.5	2068.1	459.6	5.4	3.6	2.3	1.5	0.0

**Photometric Data Table [cd]**

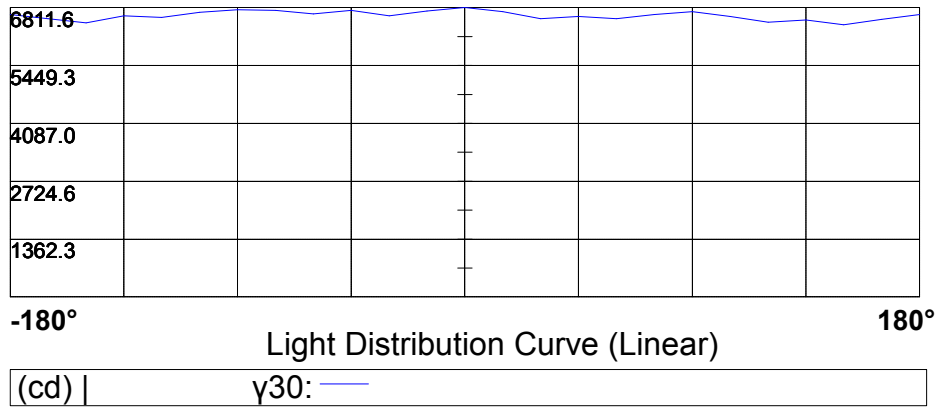
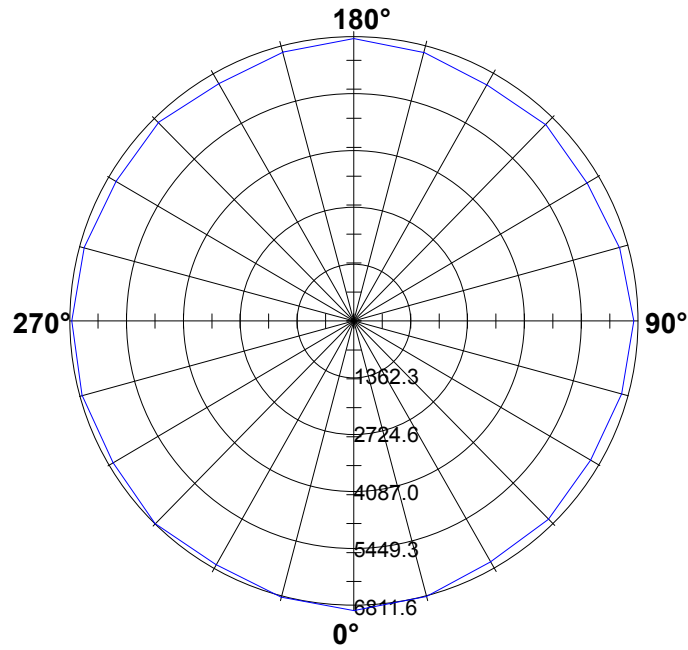
<b>300.0</b>	3725.8	2970.8	2281.5	459.6	6.4	3.6	2.3	1.3	0.0
<b>315.0</b>	3758.7	2970.8	2248.6	673.0	6.9	3.6	2.3	0.7	0.0
<b>330.0</b>	3676.6	2855.9	1707.0	771.4	213.4	3.5	2.1	0.3	0.0
<b>345.0</b>	3742.3	2872.3	2035.3	1066.9	122.8	3.5	2.1	0.0	0.0
<b>360.0</b>	3725.8	2970.8	2215.8	1116.1	4.9	3.5	2.1	0.0	0.0

Light Distribution Curve [Unit: cd]

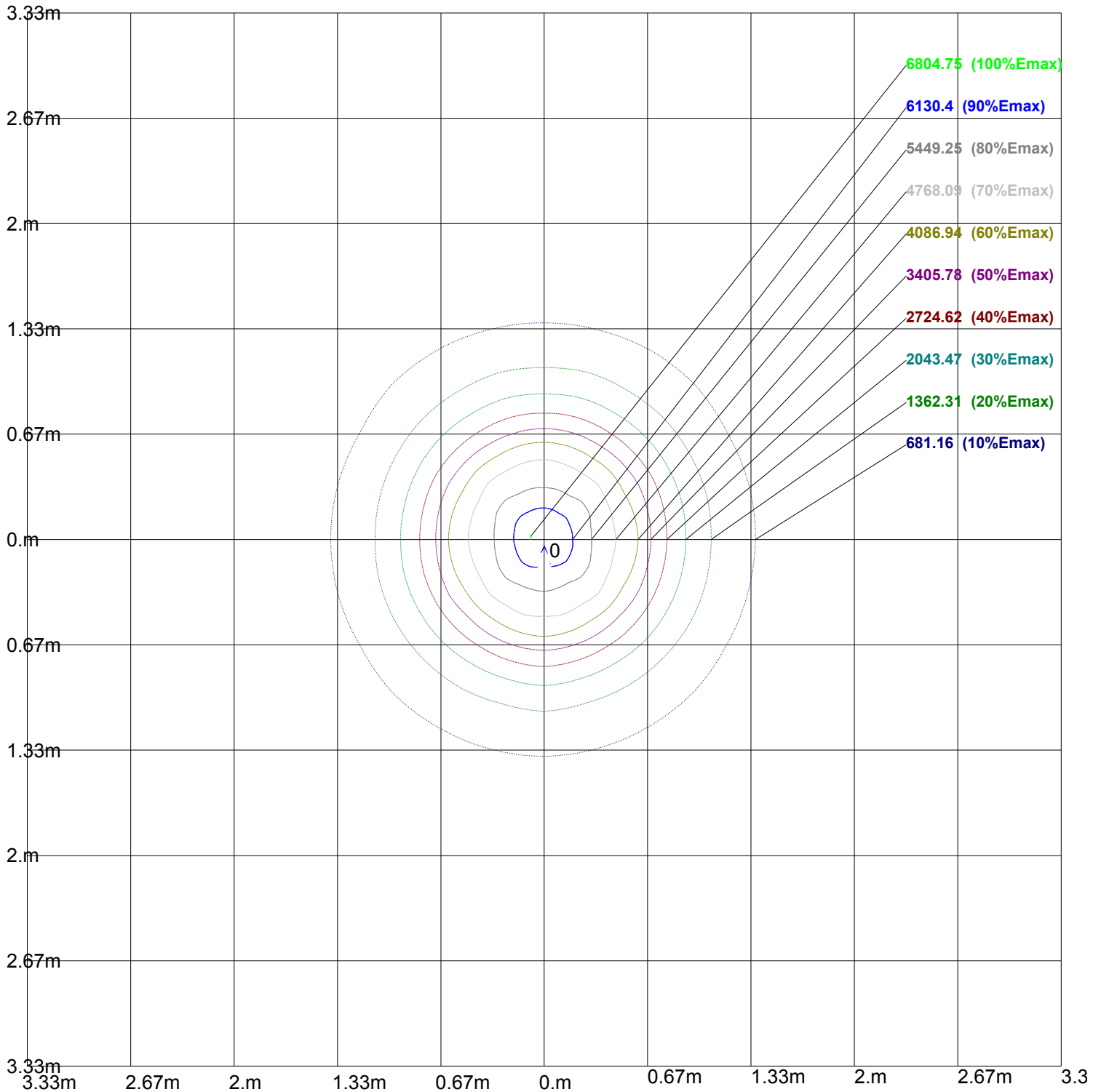
Luminaire



**Max Plane Light Distribution Curve [Unit: cd]**



### Iso-Lux[lx]



Height: 1 m  
Max Illuminance : 6811.56lx

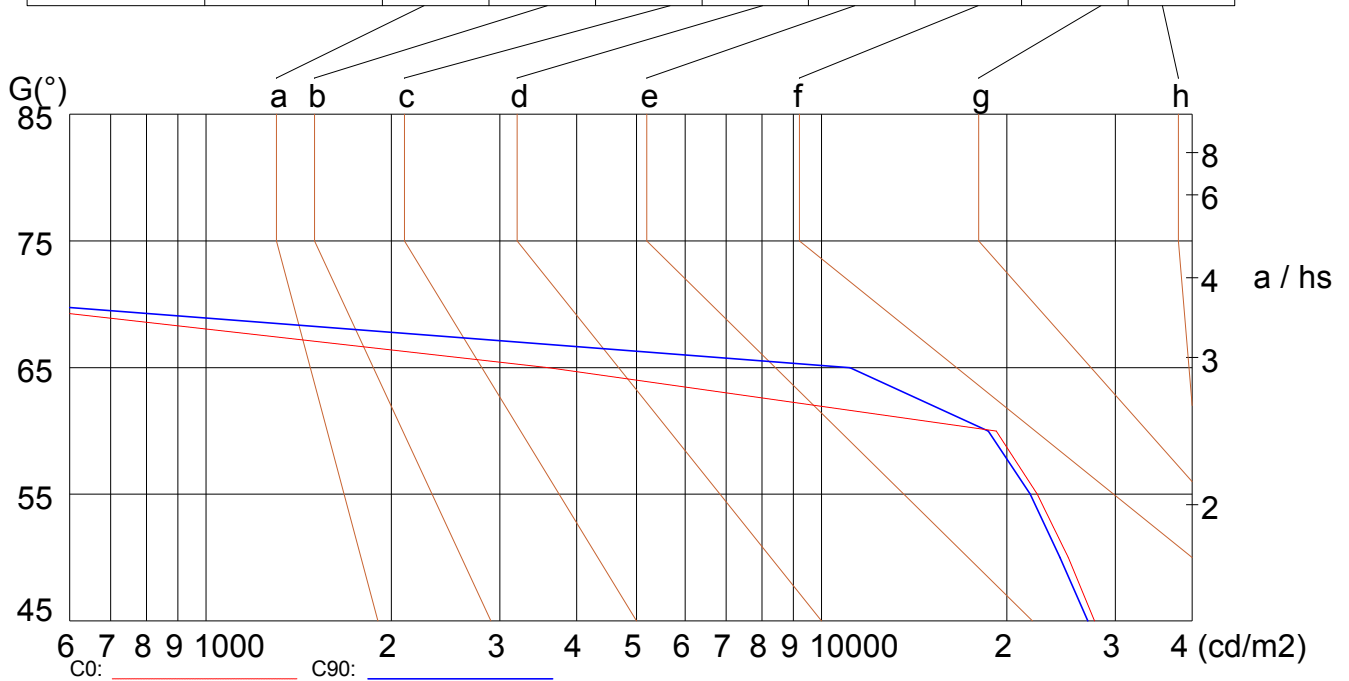
### Luminance Limiting Curve

Diameter: 0mm  
 Length: 475mm  
 Width: 500mm  
 Height: 500mm

(cd/m<sup>2</sup>)

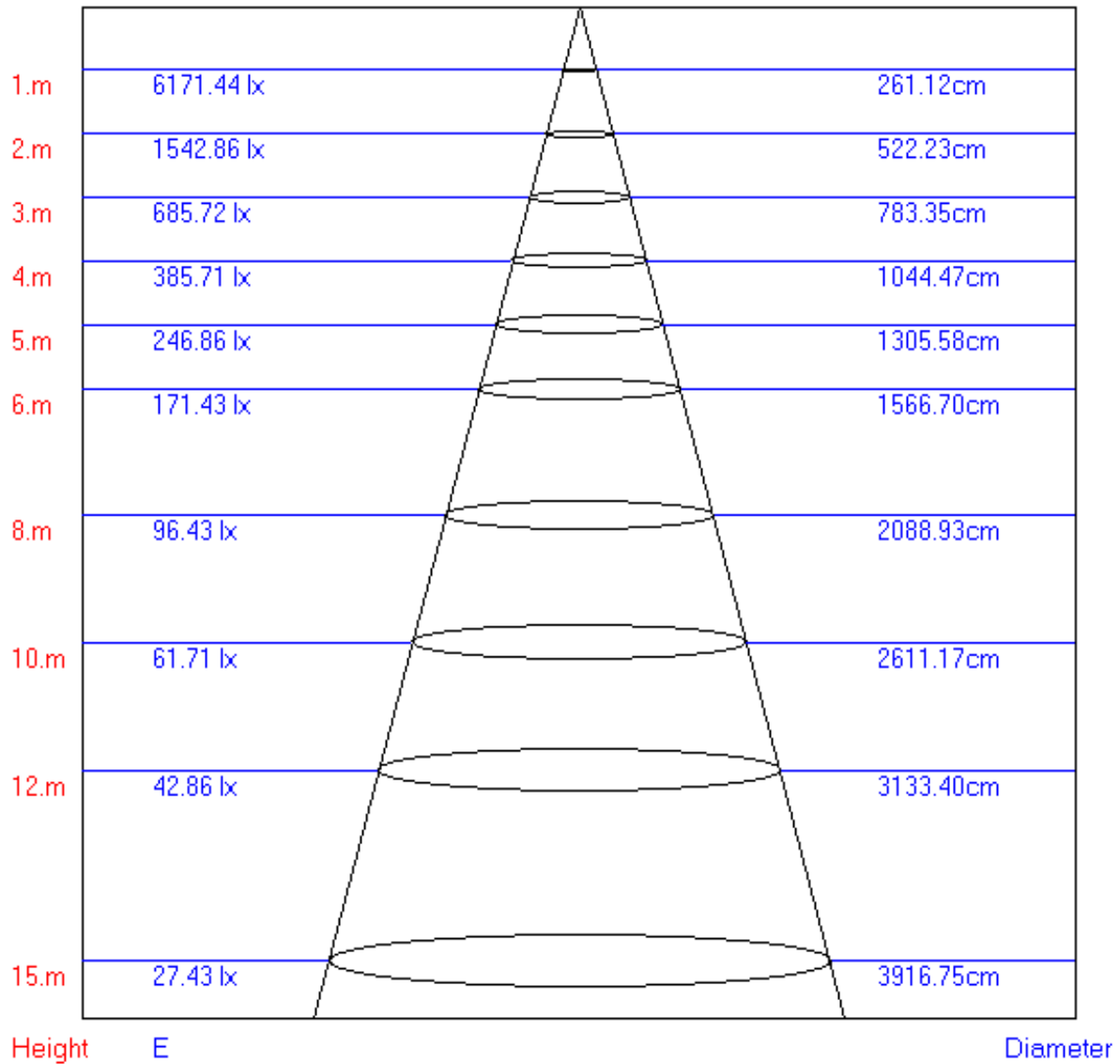
$\gamma$	45°	50°	55°	60°	65°	70°	75°	80°	85°
C0	27757	25158	22411	19212	3598	83	64	60	
C90	27073	24406	21808	18659	11120	61	56	52	

Glare	Quality	Service Values Illuminance (lx)							
1.15	A	2000	1000	500	≤300				
1.5	B		2000	1000	500	≤300			
1.85	C			2000	1000	500	≤300		
2.2	D				2000	1000	500	≤300	
2.55	E					2000	1000	500	≤300



Lum. Limiting Curve (C0/C90)

Lux-Distance Curve



Beam Angle:105.20°



Utilization Coefficient Table

RHOCC	80			70			50			30			10			0
RHOW	50	30	10	50	30	10	50	30	10	50	30	10	50	30	10	0
RCR	COEFFICIENTS OF UTILIZATION FOR RHOFC=20															
0	1.19	1.19	1.19	1.16	1.16	1.16	1.11	1.11	1.11	1.06	1.06	1.06	1.02	1.02	1.02	1.00
1	1.10	1.08	1.07	1.08	1.06	1.05	1.04	1.02	1.01	0.99	0.97	0.95	0.92	0.90	0.89	0.83
2	0.97	0.95	0.93	0.96	0.93	0.91	0.93	0.90	0.87	0.89	0.86	0.83	0.84	0.80	0.77	0.73
3	0.85	0.82	0.81	0.84	0.81	0.79	0.82	0.79	0.76	0.79	0.75	0.72	0.76	0.71	0.67	0.63
4	0.75	0.72	0.70	0.74	0.71	0.69	0.73	0.69	0.66	0.71	0.67	0.63	0.69	0.63	0.59	0.55
5	0.66	0.63	0.62	0.66	0.63	0.60	0.66	0.61	0.58	0.64	0.59	0.55	0.62	0.57	0.52	0.48
6	0.59	0.56	0.54	0.59	0.56	0.53	0.59	0.54	0.51	0.58	0.53	0.49	0.57	0.51	0.46	0.42
7	0.52	0.50	0.48	0.53	0.50	0.47	0.53	0.49	0.45	0.53	0.47	0.43	0.52	0.46	0.41	0.38
8	0.47	0.45	0.43	0.48	0.44	0.42	0.48	0.44	0.41	0.48	0.43	0.39	0.48	0.42	0.37	0.34
9	0.43	0.40	0.39	0.43	0.40	0.38	0.44	0.40	0.37	0.44	0.39	0.35	0.44	0.38	0.33	0.30
10	0.39	0.37	0.35	0.39	0.36	0.35	0.40	0.36	0.33	0.41	0.36	0.32	0.41	0.35	0.30	0.27

