

Lite Lion

PHOTOMETRIC TEST REPORT

LED LAMP

Luminaire Property

Luminaire:

Report NO.:

Test NO.:

Lamp: [LAMP]

Sum Lumens: 20014.66 lm

Number of Lamps: 1

Diameter: 0mm

Length: 475mm

Photometric Type: Type C

Voltage: 230.0 V

Current: 0.7560 A

Power: 168.32 W

Power Factor: 0.968

Ballast Type:

Width: 500mm

Height: 500mm

Remark:

Photometric Results

Lumens: 20014.66 lm

Efficiency: 100%

Central Intensity: 7500.453cd

Maximum Intensity: 8278.42cd

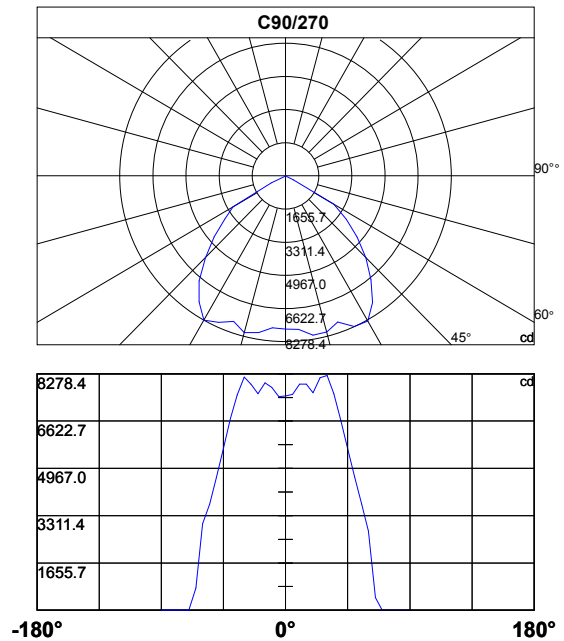
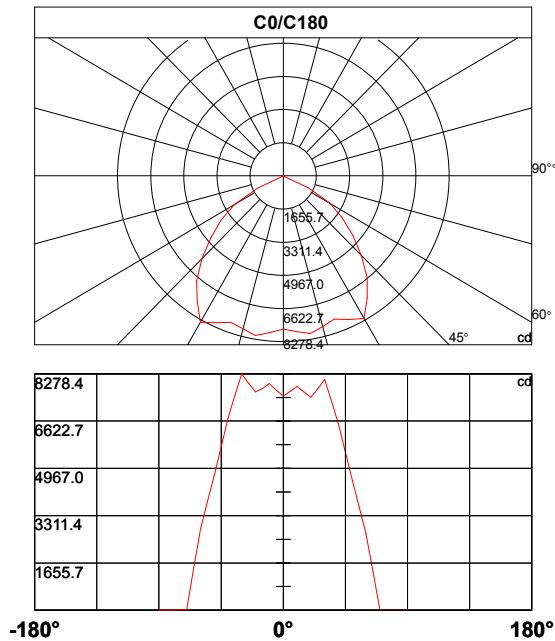
Beam Angle(10%): Left: -37.1 Right:97.0

Angle of maximum intensity: C:180.0 G:30.0

Half Peak Side Angle(50%): Left: -23.0 Right:82.1

Up Flux Rate: 0.0%

Down Flux Rate: 100.0%



Photometric Data Table [cd]

Cly	0.0	5.0	10.0	15.0	20.0	25.0	30.0	35.0	40.0	45.0
0.0	7500.5	7660.0	7839.6	7640.1	7460.5	7759.8	8078.9	7301.0	6523.0	5525.6
15.0	7500.5	7660.0	7859.5	7680.0	7520.4	7719.9	7959.3	7380.8	6562.9	5625.3
30.0	7500.5	7660.0	7859.5	7839.6	7739.8	7799.7	7839.6	7520.4	6642.7	5605.4
45.0	7500.5	7640.1	7899.4	7919.4	7779.7	7999.1	8039.0	7480.5	6602.8	5705.1
60.0	7500.5	7600.2	7879.5	7839.6	7560.3	7939.3	7999.1	7440.6	6622.7	5665.2
75.0	7500.5	7580.2	7899.4	7899.4	7620.1	8019.1	8138.8	7520.4	6702.5	5784.9
90.0	7500.5	7560.3	7919.4	7919.4	7620.1	8138.8	8218.6	7580.2	6642.7	5665.2
105.0	7500.5	7600.2	7919.4	7939.3	7680.0	8098.9	8198.6	7540.3	6722.5	5804.9
120.0	7500.5	7640.1	7939.3	7899.4	7699.9	8078.9	8098.9	7540.3	6682.6	5725.1
135.0	7500.5	7660.0	7959.3	7999.1	7899.4	8178.7	8198.6	7640.1	6722.5	5824.8
150.0	7500.5	7680.0	7959.3	7979.2	7879.5	7979.2	8039.0	7680.0	6802.3	5765.0
165.0	7500.5	7699.9	7939.3	7839.6	7699.9	7939.3	8178.7	7580.2	6722.5	5765.0
180.0	7500.5	7699.9	7939.3	7759.8	7640.1	7939.3	8278.4	7500.5	6722.5	5725.1
195.0	7500.5	7680.0	7899.4	7799.7	7640.1	7879.5	8158.7	7520.4	6762.4	5765.0
210.0	7500.5	7660.0	7899.4	7899.4	7779.7	7859.5	7959.3	7620.1	6642.7	5765.0
225.0	7500.5	7640.1	7899.4	7999.1	7819.6	8019.1	8019.1	7400.7	6682.6	5585.4
240.0	7500.5	7600.2	7899.4	7859.5	7640.1	7919.4	7959.3	7460.5	6523.0	5565.5
255.0	7500.5	7540.3	7819.6	7819.6	7620.1	7999.1	8078.9	7480.5	6582.8	5465.8
270.0	7500.5	7480.5	7799.7	7959.3	7580.2	7919.4	8158.7	7540.3	6722.5	5665.2
285.0	7500.5	7540.3	7799.7	7759.8	7580.2	7979.2	8019.1	7420.6	6523.0	5405.9
300.0	7500.5	7600.2	7859.5	7759.8	7500.5	7859.5	7859.5	7360.8	6423.3	5405.9
315.0	7500.5	7640.1	7899.4	7899.4	7719.9	7979.2	7919.4	7261.1	6523.0	5425.9
330.0	7500.5	7660.0	7879.5	7859.5	7699.9	7779.7	7779.7	7380.8	6443.2	5565.5
345.0	7500.5	7680.0	7879.5	7719.9	7520.4	7719.9	7939.3	7281.0	6483.1	5525.6
360.0	7500.5	7660.0	7839.6	7640.1	7460.5	7759.8	8078.9	7301.0	6523.0	5525.6

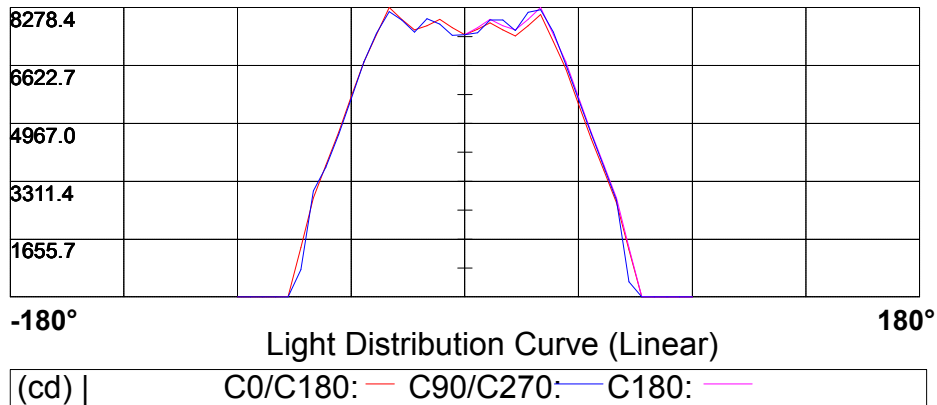
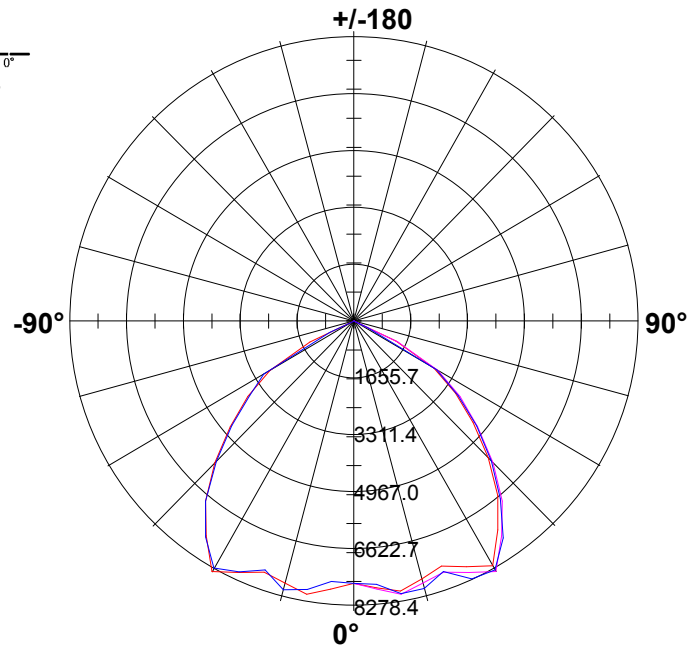
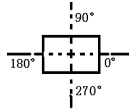
Cly	50.0	55.0	60.0	65.0	70.0	75.0	80.0	85.0	90.0
0.0	4528.2	3610.6	2693.0	1356.5	6.0	4.2	2.6	0.0	0.0
15.0	4608.0	3610.6	2533.4	1356.5	158.2	4.2	2.6	0.0	0.0
30.0	4627.9	3530.8	2214.2	937.6	319.2	4.2	2.6	0.4	0.0
45.0	4627.9	3850.0	2772.8	957.5	9.2	4.4	2.6	0.8	0.0
60.0	4608.0	3850.0	2772.8	778.0	11.2	4.4	2.4	1.2	0.0
75.0	4747.6	3670.4	2952.3	578.5	10.8	4.6	2.8	1.2	0.0
90.0	4667.8	3710.3	2772.8	438.9	8.2	4.8	3.0	1.6	0.0
105.0	4747.6	3730.3	2972.3	538.6	11.0	5.6	4.8	4.6	0.0
120.0	4647.9	3889.9	2772.8	758.0	14.4	8.4	6.6	4.6	0.0
135.0	4687.8	3949.7	2832.6	977.5	14.4	8.8	6.4	2.0	0.0
150.0	4727.7	3610.6	2274.1	997.4	339.1	8.6	6.2	0.8	0.0
165.0	4727.7	3730.3	2613.2	1416.3	168.6	9.4	7.0	0.2	0.0
180.0	4707.7	3770.2	2832.6	1416.3	11.8	9.4	7.2	0.0	0.0
195.0	4767.6	3690.4	2633.1	1396.4	164.0	9.0	6.8	0.2	0.0
210.0	4627.9	3590.6	2174.3	997.4	259.3	8.6	6.4	1.0	0.0
225.0	4747.6	3750.2	2832.6	857.8	13.0	8.2	6.6	2.4	0.0
240.0	4667.8	3690.4	2832.6	598.4	11.0	8.2	7.0	5.2	0.0
255.0	4548.1	3730.3	2553.3	578.5	6.6	5.0	4.6	5.2	0.0
270.0	4647.9	3710.3	3032.1	778.0	7.0	4.6	3.2	2.0	2.0
285.0	4488.3	3690.4	2513.4	558.5	6.6	4.4	2.8	1.8	0.0

Photometric Data Table [cd]

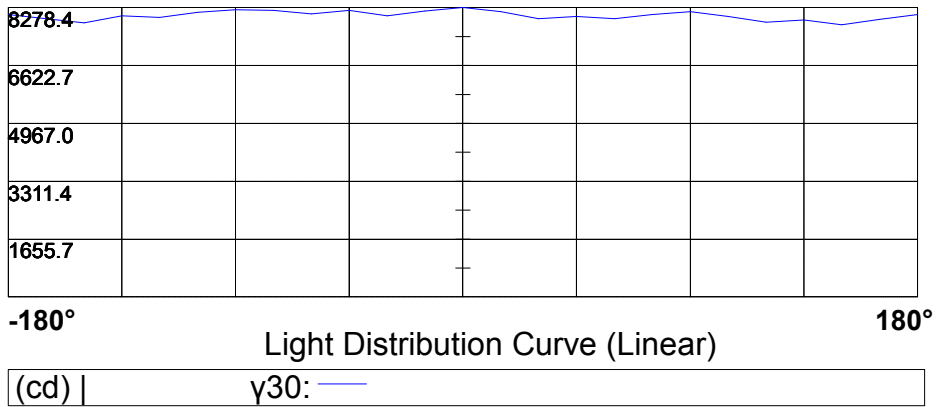
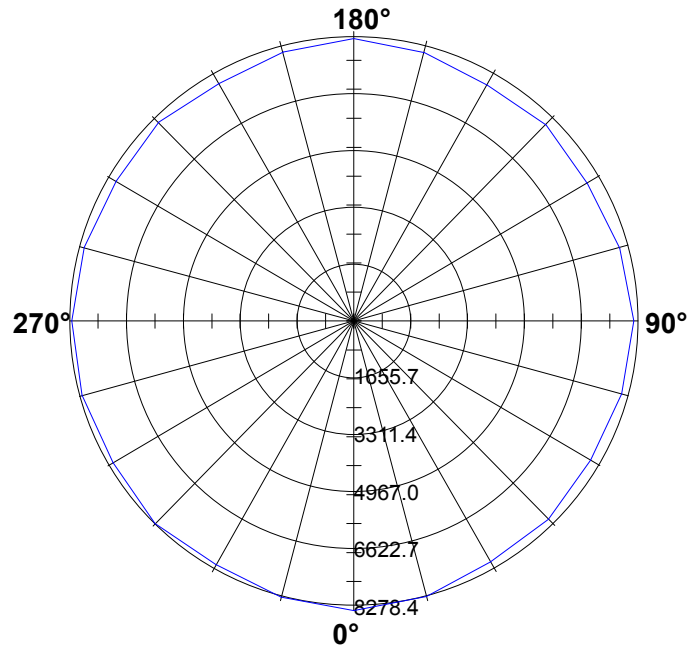
300.0	4528.2	3610.6	2772.8	558.5	7.8	4.4	2.8	1.6	0.0
315.0	4568.1	3610.6	2732.9	817.9	8.4	4.4	2.8	0.8	0.0
330.0	4468.4	3470.9	2074.6	937.6	259.3	4.2	2.6	0.4	0.0
345.0	4548.1	3490.9	2473.6	1296.6	149.2	4.2	2.6	0.0	0.0
360.0	4528.2	3610.6	2693.0	1356.5	6.0	4.2	2.6	0.0	0.0

Light Distribution Curve [Unit: cd]

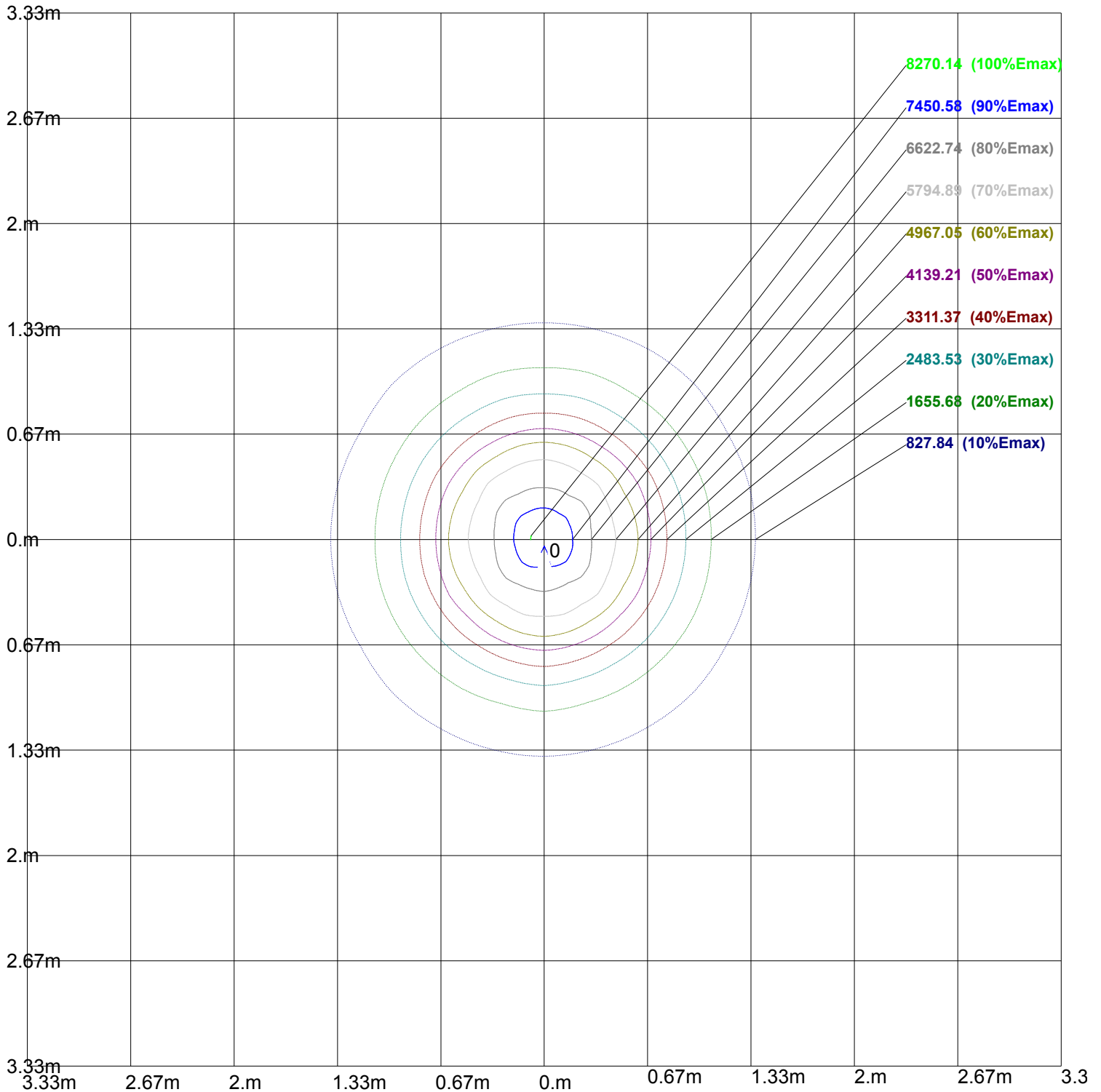
Luminaire



Max Plane Light Distribution Curve [Unit: cd]



Iso-Lux[lx]



Height: 1 m
Max Illuminance : 8278.42lx

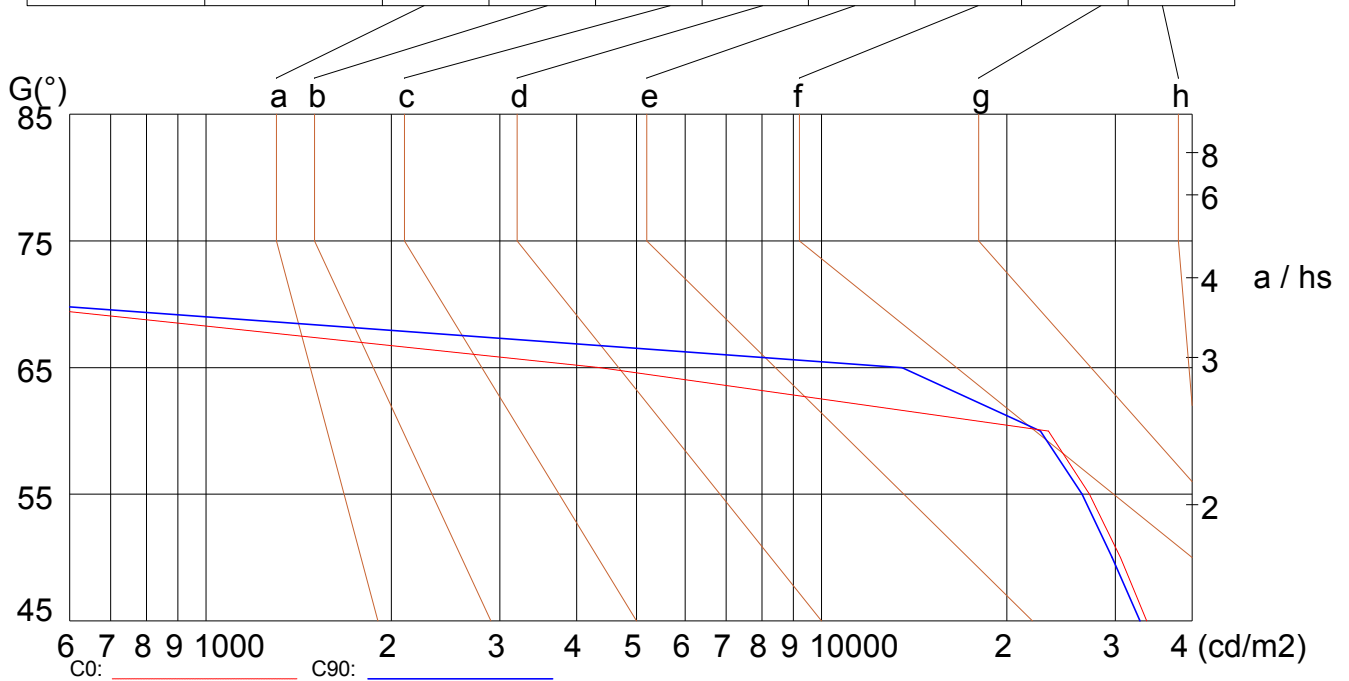
Luminance Limiting Curve

Diameter: 0mm
 Length: 475mm
 Width: 500mm
 Height: 500mm

(cd/m²)

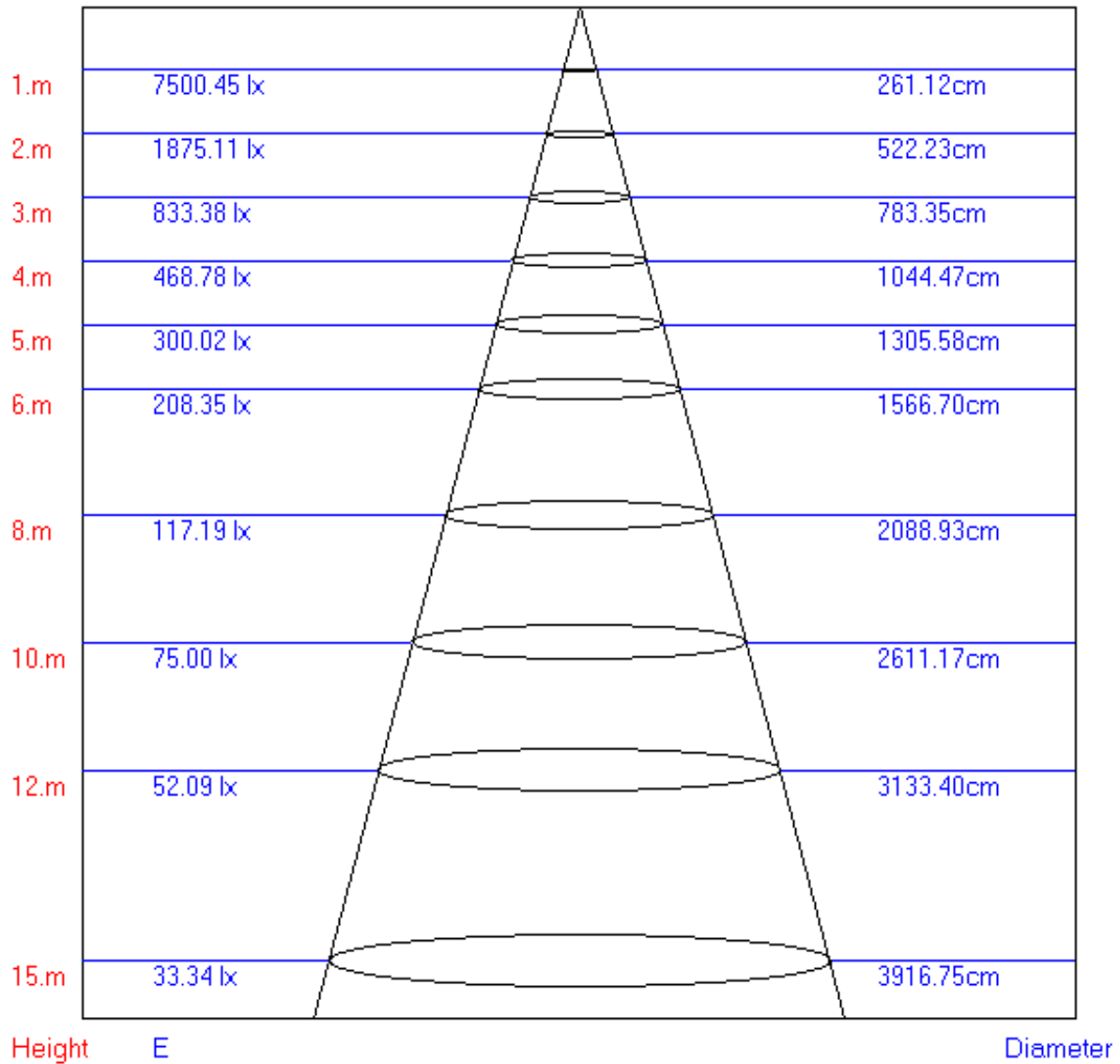
γ	45°	50°	55°	60°	65°	70°	75°	80°	85°
C0	33734	30576	27237	23350	4372	101	78	72	
C90	32903	29662	26505	22678	13514	74	68	63	

Glare	Quality	Service Values Illuminance (lx)							
1.15	A	2000	1000	500	≤300				
1.5	B		2000	1000	500	≤300			
1.85	C			2000	1000	500	≤300		
2.2	D				2000	1000	500	≤300	
2.55	E					2000	1000	500	≤300



Lum. Limiting Curve (C0/C90)

Lux-Distance Curve



Beam Angle:105.60°

Utilization Coefficient Table

RHOCC	80			70			50			30			10			0
RHOW	50	30	10	50	30	10	50	30	10	50	30	10	50	30	10	0
RCR	COEFFICIENTS OF UTILIZATION FOR RHOFC=20															
0	1.19	1.19	1.19	1.16	1.16	1.16	1.11	1.11	1.11	1.06	1.06	1.06	1.02	1.02	1.02	1.00
1	1.10	1.08	1.07	1.08	1.06	1.05	1.04	1.02	1.01	0.99	0.97	0.95	0.92	0.90	0.89	0.83
2	0.97	0.95	0.93	0.96	0.93	0.91	0.93	0.90	0.87	0.89	0.86	0.83	0.84	0.80	0.77	0.73
3	0.85	0.82	0.81	0.84	0.81	0.79	0.82	0.79	0.76	0.79	0.75	0.72	0.76	0.71	0.67	0.63
4	0.75	0.72	0.70	0.74	0.71	0.69	0.73	0.69	0.66	0.71	0.67	0.63	0.69	0.63	0.59	0.55
5	0.66	0.63	0.62	0.66	0.63	0.60	0.66	0.61	0.58	0.64	0.59	0.55	0.62	0.57	0.52	0.48
6	0.59	0.56	0.54	0.59	0.56	0.53	0.59	0.54	0.51	0.58	0.53	0.49	0.57	0.51	0.46	0.42
7	0.52	0.50	0.48	0.53	0.50	0.47	0.53	0.49	0.45	0.53	0.47	0.43	0.52	0.46	0.41	0.38
8	0.47	0.45	0.43	0.48	0.44	0.42	0.48	0.44	0.41	0.48	0.43	0.39	0.48	0.42	0.37	0.34
9	0.43	0.40	0.39	0.43	0.40	0.38	0.44	0.40	0.37	0.44	0.39	0.35	0.44	0.38	0.33	0.30
10	0.39	0.37	0.35	0.39	0.36	0.35	0.40	0.36	0.33	0.41	0.36	0.32	0.41	0.35	0.30	0.27

